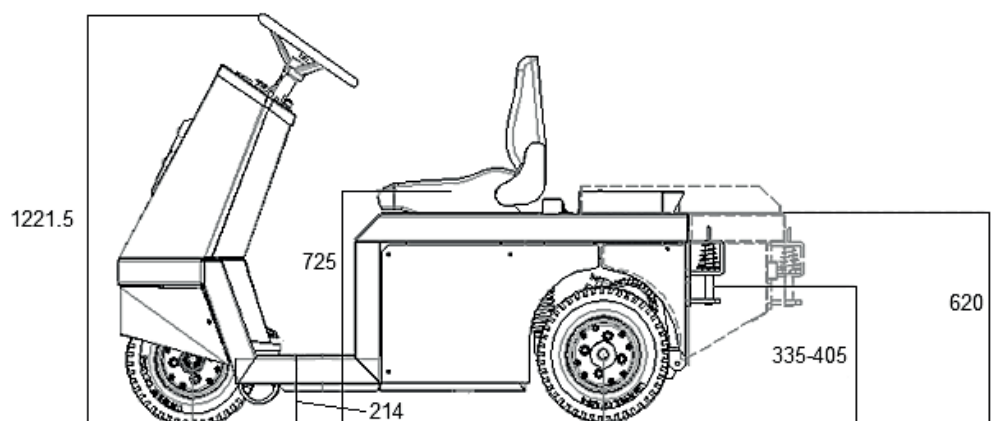




## SPIJKSTAAL 304 - 304P

Because of the good suspension, powerful brakes and excellent ergonomics the electric tricycle tow tractor 304 is very suitable for intensive towing of loads up to 4,000 kg. The compact dimensions make this tow tractor very manoeuvrable which is practical in narrow passages and in less spacious areas. The Spijkstaal 304 with platform is multifunctional and has a load capacity of 300 kg (platform 600 x 695 mm) and a towing capacity of up to 2,500 kg. The low platform height, the excellent suspension and the perfect ergonomics provide optimal comfort for the driver. The narrow width of just 750 mm and the exceptional manoeuvrability make this Spijkstaal vehicle extremely suitable for indoor use.





	<b>304</b>	<b>304P</b>	
<b>DRIVE / BATTERY</b>			
Asynchrone AC motor	2.6	2.6	kW
Battery voltage	24	24	V
Battery capacity	400	400	Ah
Transmission	1:19	1:19	
<b>PERFORMANCE</b>			
Max. speed	14	14	km/u
Towing capacity	4.000	4.000	kg
Max. drawbar pull	2.750	2.750	N
Load capacity	-	300	kg
<b>WEIGHTS</b>			
Service weight (incl. batt.)	629	655	kg
<b>DIMENSIONS</b>			
Length	1.739	2.026	mm
Width	750	750	mm
Height (with overhead guard)	650	650	mm
Track width rear	1.251	1.251	mm
Ground clearance, centre of wheelbase	100	100	mm
Turning radius	1.685	1.685	mm
<b>TYRES / SUSPENSION</b>			
Tyre size, front	4.00*8	4.00*8	
Tyre size, rear	4.00*8	4.00*8	
Suspension front	Helical spring with shock absorber		
Suspension rear	Helical springs with shock absorbers		
<b>BRAKES</b>			
Service breaks	Hydraulic operated disc brakes		
Parking brake	Automatic		
<b>OPTIONS</b>			
Flash light	Battery exchange system		
Trailer coupling	Pneumatic tyres		
Cabin	Bluespot		

**Spijckstaal International B.V.**  
Mandemakerstraat 150-152  
3194 DG Hoogvliet  
+31 (0)181457030  
info@spijkstaal.nl