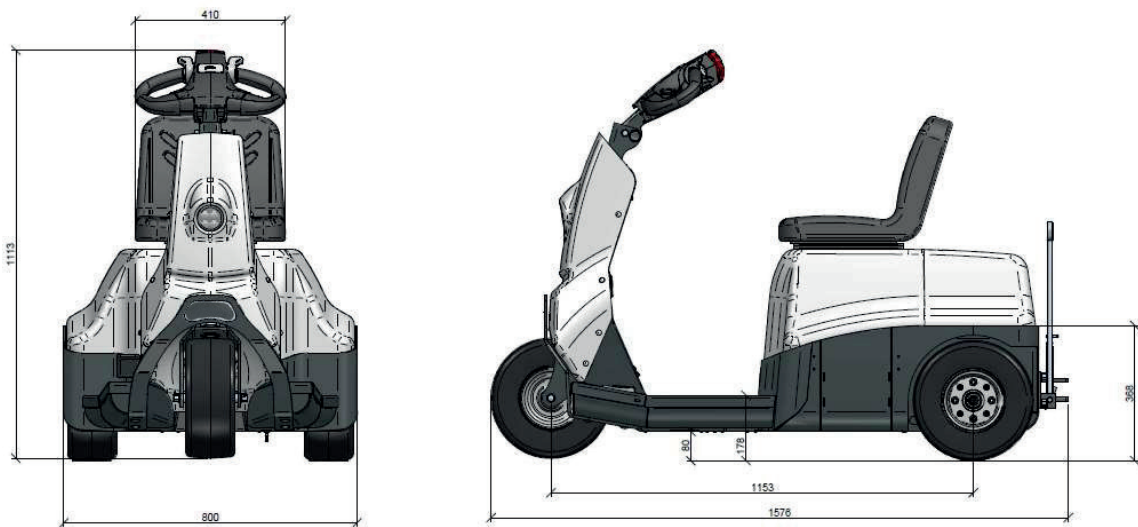




SPIJKSTAAL 302 NOVA



[SPIJKSTAAL.COM](https://www.spijkstaal.com)



302 Nova		
DRIVE / BATTERY		
Drive	Transaxle	
Battery	AGM or Lithium	
Capacity	1500	W AC
Battery voltage	24	V
Capacity AGM	110	Ah
Capacity Lithium 70Ah	70	Ah
Capacity Lithium 140Ah	140	Ah
PERFORMANCE		
Max. speed	12	km/u
Pull capacity	2.000	kg
Max. load	125	kg
WEIGHTS		
Weight (without battery)	250	kg
Weight with AGM	75	kg
Weight with Lithium 70Ah	26	kg
Weight with Lithium 140Ah	44	kg
DIMENSIONS		
Length	1.576	mm
Width	800	mm
Height	1.113	mm
Track width rear	800	mm
Wheelbase	1.153	mm
Turning radius	2.050	mm
CONTROL SYSTEM		
Control	AC controller	
BRAKES		
Behind	Mecanic, Drum	

Spijkstaal International B.V.

Mandemakerstraat 150-152

3194 DG Hoogvliet

+31 (0)181457030

info@spijkstaal.nl

SPIJKSTAAL.COM